

DATA SHEET QUALYPANEL COVINTEC



QUALYPANEL COVINTEC 3" for load-bearing walls:

- For the construction of load-bearing walls optimizing steel consumption
Savings in construction materials and speeds up the construction process
Integrates thermal insulation in the walls generating savings in the consumption of Energy.
- It has Auto-Assembly, which saves the use of union meshes.

Description:

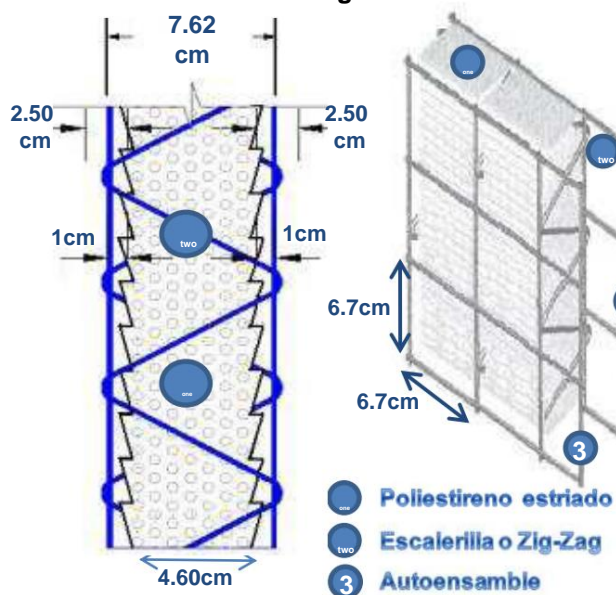
QUALYPANEL COVINTEC is a three-dimensional structure of polished or galvanized high-strength #14 gauge steel wire (2.03 mm), electro-welded at each point of contact, made up of vertical reinforcements called ladders or Zig-Zag and inside the armor incorporates a core made of expanded polystyrene.

The product is designed to comply with the NMX-405-ONNCCE-2002 standard (Panels for structural use in walls, ceilings and mezzanines).

Applications:

Working perfectly on load-bearing and dividing walls, it is recommended in applications where thermal and acoustic insulation is required, such as classrooms, kitchens, auditoriums, departments, offices, etc.

Product Diagram:



Product Features

Thickness	3
Wide	1.22m
High	2.44m
Separation between Meshes	7.62cm
Reticle	6.7 x 6.7cm
Unflattened Weight	2.71kg/m ²
Polystyrene thickness	4.06cm
Steel Gauge	14
Steel Area	1.46cm ²

Finished Wall Characteristics

Total thickness with flattened	10.62cm
Weight with Flattened	78.00kg/m ²
Thermal Resistance Factor	7.99
"R" (hr)(ft ²)(f)/BTU	44dB
Acoustic isolation	100kg/cm ²
Mortar Strength	7,572kg/m
Shear Strength	9,391kg/m
Axial Load	14.278kg/cm ²
Tensile Strength	